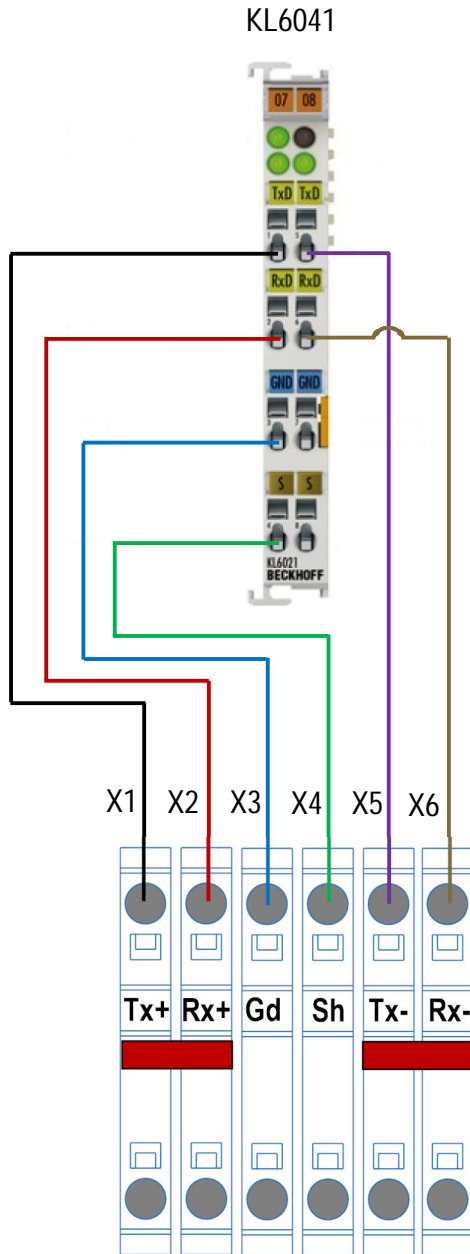
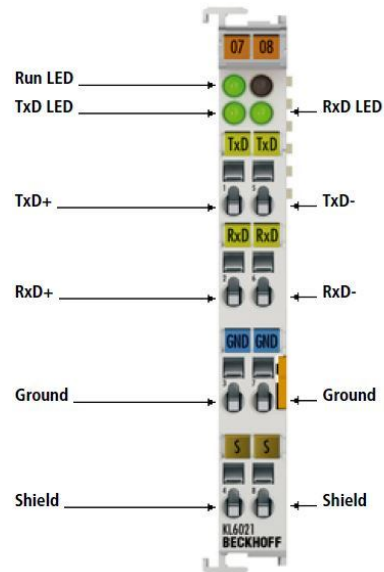


Modbus Wiring Diagram



- Mark as X1 on Both Ends (KL Block 1)
- Mark as X2 on Both Ends (KL Block 2)
- Mark as X3 on Both Ends (KL Block 3)
- Mark as X4 on Both Ends (KL Block 4)
- Mark as X5 on Both Ends (KL Block 5)
- Mark as X6 on Both Ends (KL Block 6)

ALL CABLE SIZES 1 mm (Grey)



For Half Duplex use supplied connectors

Connect Tx+ to Rx+

Connect Tx- to Tx-

Link for Half Duplex

| | | | |
|----------|------------------------------|-------|---|
| Title | Modbus KL6041 Wiring Diagram | | |
| Author | SJ Shoubridge | | |
| Date | 01/01/2017 | Sheet | 1 |
| Revision | | | |